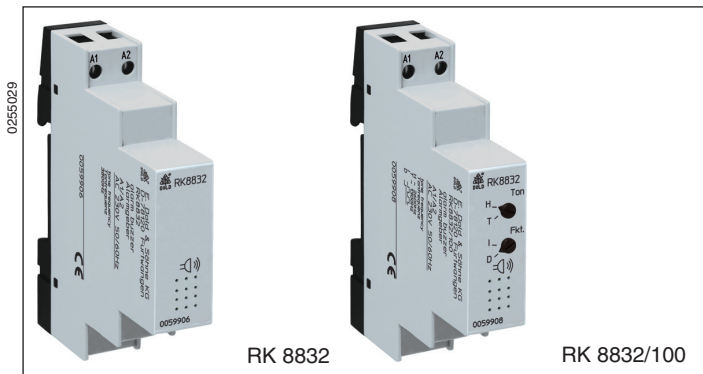


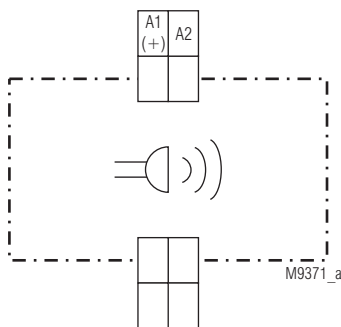
Buzzer RK 8832



0255029

- Permanent sound, pitch fixed
- optionally with switchable interval- / permanent sound and 2 pitches settable
- Width: 17.5 mm and depth: 64 mm

Circuit Diagram



RK 8832, RK 8832/100

Approval and Marking



Applications

- Audible alarm
- Alarm buzzer in 1- or 2-family houses

Technical Data

Input

Nominal voltage U_N:	AC/DC 24V AC 230 V
Voltage range:	0.8 ... 1.1 U_N
Frequency range:	45 ... 65 Hz

Output

Signal frequency

RK 8832:	3,8 kHz fixed
RK 8832/100:	1,3 / 2,6 kHz adjustable

Volume

(2 m distance):

RK 8832:	3.8 kHz	approx. 70 dB (A)
RK 8832/100:	1.3 kHz	approx. 60 dB (A)
	2.6 kHz	approx. 70 dB (A)

General Data

Nominal operating mode:	continuous operation	
Temperature range:	- 20 ... + 60°C	
Clearance and creepage distance		
rated impuls voltage /		
pollution degree:	4 kV / 2	IEC 60 664-1
EMC		
Electrostatic discharge (ESD):	8 kV / 2 (air)	IEC/EN 61 000-4-2
HF irradiation:	10 V/m	IEC/EN 61 000-4-3
Fast transients:	2 kV	IEC/EN 61 000-4-4
surge voltage		
between		
wires for power supply:	1 kV	IEC/EN 61 000-4-5
between wire and ground:	2 kV	IEC/EN 61 000-4-5
interference suppression:	limit value class B	EN 55 011
Degree of protection:		
Housing:	IP 40	IEC/EN 60 529
Terminals:	IP 20	IEC/EN 60 529
Enclosure:	thermoplastic with VO behaviour according UL Subject 94	
Vibration resistance:	Amplitude 0.35 mm Frequenz 10 ... 55 Hz, IEC/EN 60 068-2-6	
Climate resistance:	20 / 060 / 04 IEC/EN 60 068-1	
Terminal designation:	EN 50 005	

Technical Data

Wire connection:	1 x 2.5 mm ² solid or max. 1 x 2.5 mm ² stranded wire with sleeve DIN 46 228-1/-2/-3/-4
Wire fixing:	Box terminal with wire protection
Mounting:	DIN-rail IEC/EN 60 715
Weight	
RK 8832:	40 g
RK 8832/100:	44 g

Dimensions

Width x height x depth: 17.5 x 90 x 71 mm

Standard Type

RK 8832 AC 230 V	
Article number:	0059906
• Permanent sound, pitch fixed	
• Nominal voltage U_N :	AC 230 V
• Width:	17.5 mm

Variants

RK 8832/100: interval- / permanent sound adjustable
2 pitches settable

Order reference for variant

RK 8832 / _ _ _ AC 230V

Nominal voltage
Variant, if required
Type