

## Noise Filter MK 5130N, LG 5130



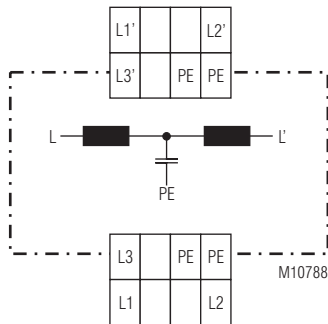
### Your Advantages

- Reliable operation of measuring relays and other low consumption loads in systems with high frequency noise
- Protection of measuring inputs / measuring relays by reduction of noise
- More precise and constant measuring results
- Increasing the availability of plants

### Features

- 3-phase noise filter for measuring relays
- Noise suppression of wire bound interference
- Broadband suppression of high frequencies
- For nominal voltages up to 3 AC 1000 V
- PE connection for increased suppression level
- 2 models available:
  - MK 5130N: depth 97 mm
  - LG 5130: depth 121 mm
- Width: 22.5 mm

### Circuit Diagram



### Approvals and Markings



### Application

- Operation of measuring relays on inverters and equipment with high frequency noise voltage
- Noise suppression for circuits and loads up to 50 mA per phase
- Reduction of noise created by electric tools, contactors and luminescent lamps

### Function

Increased numbers of inverters create on their outputs steep commutation edges that create noise and high frequency leaking currents on direct connected equipment. Devices that are connected to inverters can be disturbed or damaged. The HF components can be conducted to other parts of the system e.g. via the DC 24 V supply.

This could happen on measuring relays that are connected to the inverter output. The auxiliary supply of the measuring relay has a galvanic separation from the measuring input, but coupling capacitances in the power supply can create a high frequency connection to the measuring input. Certain frequencies will then create leakage currents from inverter to auxiliary supply.

In principle all monitoring devices connected to inverter outputs may be subject to interference. It is also possible that these devices conduct the interference to other parts of the system.

The noise filter MK 5130N / LG 5130 have in each path for the 3 phases (input L1/L2/L3 - output L1'/L2'/L3') 4 inductances connected in series to provide broad band filtering up to very high frequencies. If also PE is connected, a Y-capacitor connected to PE gets active and provides increased filtering. (T-filter).

By connecting the MK 5130N / LG 5130 between inverter and measuring relay / device to be protected, the current flowing via coupling capacitances is extremely reduced, as the filter elements create a rising impedance with rising frequency. This avoids disturbance or damage on connected devices.

## Notes

The noise filter is connected with its input terminals L1/L2/L3 to the inverter output and the measuring relay or device to be protected to the filter outputs L1'/L2'/L3'.

It is not mandatory to connect the PE to the corresponding device terminals but it increases the filter effect.

The maximum current in each filter path is 50 mA. So this filter can also be used in the auxiliary supply of low consumption equipment.

If only one line should be filtered, the 3 paths could be connected in series increasing the filter effect, or in parallel increasing the current capacity to 150 mA.

## Technical Data

### Nominal voltage $U_N$

without PE connection: max. 3 AC 1000 V  
with PE connection: max. 3/N AC 860 / 500 V

**Current carrying capacity per path:** max. 50 mA

**Ohmic resistance per path:** approx. 140  $\Omega$

### Impedance per path (approximate values):

f / Hz	10 k	20 k	50 k	100 k	200 k	300 k	500 k	1 M	2 M	3 M	5 M ... 30 M
without PE:	2.5 k $\Omega$	4.5 k $\Omega$	10 k $\Omega$	16 k $\Omega$	20 k $\Omega$	23 k $\Omega$	30 k $\Omega$	30 k $\Omega$	30 k $\Omega$	25 k $\Omega$	22 k $\Omega$
with PE:	2.5 k $\Omega$	4.5 k $\Omega$	10 k $\Omega$	10 k $\Omega$	18 k $\Omega$	55 k $\Omega$	160 k $\Omega$	300 k $\Omega$	770 k $\Omega$	1 M $\Omega$	1 M $\Omega$

## General Data

**Nominal operating mode:** Continuous operation

**Temperature range:** - 40 ... + 70 °C

### Degree of protection

Housing: IP 40 IEC/EN 60 529

Terminals: IP 20 IEC/EN 60 529

**Housing:** Thermoplastic with V0 behaviour according to UL subject 94

**Vibration resistance:** Amplitude 0.35 mm  
frequency 10 ... 55 Hz IEC/EN 60 068-2-6

**Climate resistance:** 40 / 070 / 04 IEC/EN 60 068-1

**Wire connection:** 1 x 4 mm<sup>2</sup> solid or  
2 x 2.5 mm<sup>2</sup> solid or  
1 x 2.5 mm<sup>2</sup> stranded wire with sleeve  
2 x 1.5 mm<sup>2</sup> stranded wire with sleeve  
DIN 46 228-1/-2/-3/-4 or  
2 x 2.5 mm<sup>2</sup> stranded wire with sleeve  
DIN 46 228-1/-2/-3/

**Wire fixing:** Plus-minus terminal screws M 3.5

box terminals with wire protection

DIN rail IEC/EN 60 715

### Mounting:

**Weight:** approx. 130 g

MK 5130N: approx. 130 g

LG 5130: approx. 140 g

## Dimensions

### Width x height x depth:

MK 5130N: 22.5 x 90 x 97 mm

LG 5130: 22.5 x 90 x 121 mm

## Standard types

### MK 5130N

Article number: 0065014

• Width: 22.5 mm

• Depth: 97 mm

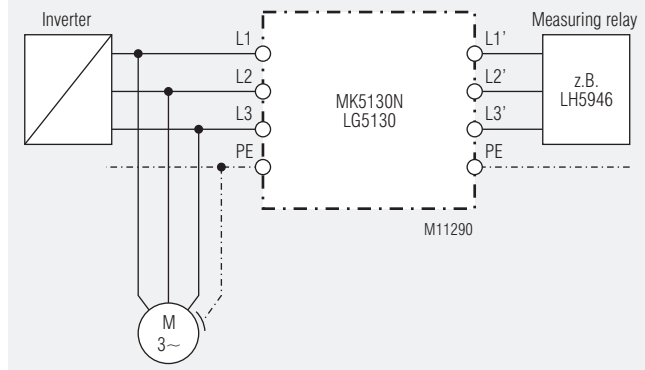
### LG 5130

Article number: 0065015

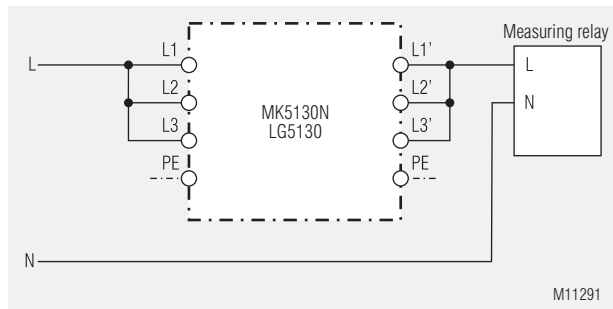
• Width: 22,5 mm

• Depth: 121 mm

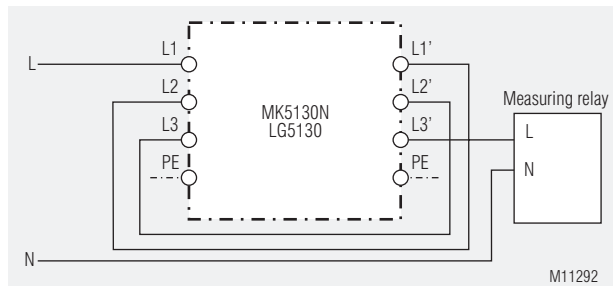
## Connection Examples



Noise filtering between the 3 phases of an inverter and a measuring relay



Noise filtering in a single wire with max. current capacity 150 mA



Noise filtering in a single wire with max. current capacity 50 mA