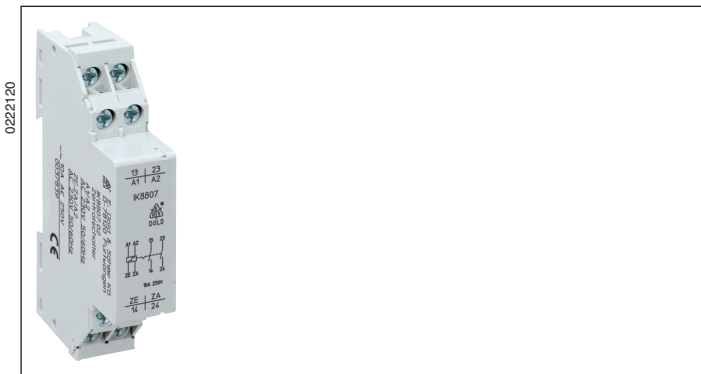
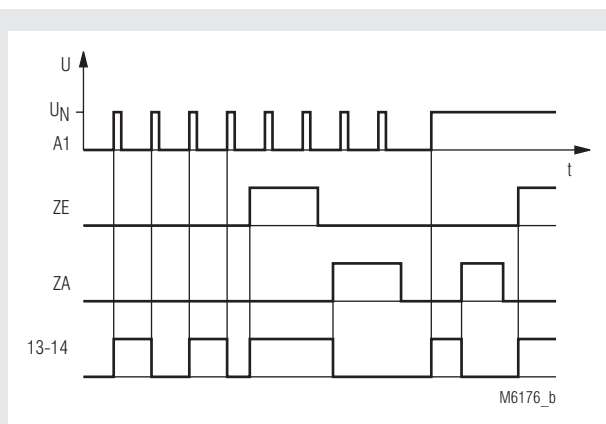


## Remote switch for central switching operations IK 8807



- According to IEC/EN 60 669
- With 1 or 2 NO contacts as options
- When ZE or ZA is actuated, the pulse via room pushbuttons is ineffective
- 15 mA glow lamp load
- Width 17.5 mm

### Function diagram



### Approvals and marking



### Function

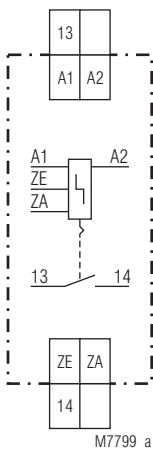
The remote switch IK 8807 enables central switching operations to be carried out, with which it is possible to switch several different groups of consumers on and off from a central location.

A remote switch that can be switched not only by room pushbuttons but also by central pushbuttons is necessary for each group of consumers. If a permanent signal is issued by a central pushbutton (or switch), the room pushbuttons are ineffective.

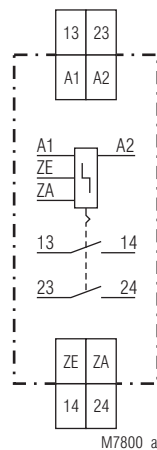
### Notes

ZE, ZA and room pushbuttons have to be connected to the same phase. When the units are started up for the first time, the output relays can be moved to a specified position by applying the operating voltage to ZA for a short time. Unwired ZE or ZA inputs (and/or inputs that are not activated) must be free from potential and residual voltage. ZE/ZA should be activated via interface relays in critical cases. The parallel activation of several units via the room pushbutton input A1 is not allowed.

### Circuit diagram



IK 8807.01



IK 8807.02

## Technical Data

### Input

<b>Nominal voltage <math>U_N</math>:</b>	AC/DC 24 V AC 42 V, 220 ... 230 V
<b>Voltage range:</b>	0.9 ... 1.1 $U_N$
<b>Nominal consumption:</b>	DC 24 V AC 230 V 0.3 W 1.2 VA
<b>Nominal frequency:</b>	50 / 60 Hz
<b>Frequency range:</b>	± 5 %
<b>Glow lamps parallel to the pushbutton:</b>	max. 30 à 0.5 mA each
<b>Max. parallel capacity of the room pushbutton control line:</b>	2 $\mu$ F
<b>of the ZE / ZA control line:</b>	0.33 $\mu$ F
<b>Max. interference voltage on the inputs:</b>	2.5 kV
<b>Minimum switching-on time:</b>	50 ms
<b>Minimum pause time:</b>	2 s

### Output

#### Contacts

IK 8807.01:	1 NO contact
IK 8807.02:	2 NO contacts
<b>Nominal output voltage:</b>	AC 400 V
<b>Switching capacity at lamp load:</b>	10 A / 230 V $10^5$ switching cycles
<b>Fluorescent lamp load:</b>	2 000 W, $10^5$ switching cycles (duo switching)
<b>Bulb load:</b>	1 000 W, $10^5$ switching cycles
<b>Thermal current <math>I_{th}</math>:</b>	10 A (see characteristics)
<b>Switching frequency:</b>	1 000 / h
<b>Short circuit strength max. fuse rating:</b>	10 A gL IEC/EN 60 947-5-1
<b>Mechanical life:</b>	> $5 \times 10^7$ switching cycles

#### General Data

<b>Operating mode:</b>	Continuous operation
<b>Temperature range:</b>	- 20 ... 45°C
<b>Clearance and creepage distances</b>	
Rated impuls voltage/pollution degree:	4 kV / 2 IEC 60 664-1
<b>EMC</b>	
Electrostatic discharge:	8 kV (air) IEC/EN 61 000-4-2
HF irradiation:	10 V / m IEC/EN 61 000-4-3
Fast transients:	2 kV IEC/EN 61 000-4-4
Surge voltages between wires for power supply:	1 kV IEC/EN 61 000-4-5
between wire and ground:	2 kV IEC/EN 61 000-4-5
HF-wire guided:	10 V IEC/EN 61 000-4-6
Interference suppression:	Limit value class B EN 55011
<b>Degree of protection:</b>	Housing: IP 30 IEC/EN 60 529
	Terminals: IP 20 IEC/EN 60 529
<b>Housing:</b>	Thermoplastic with V0 behaviour according to UL subject 94
<b>Vibration resistance:</b>	Amplitude 0.35 mm IEC/EN 60 068-2-6 frequency 10 ... 55 Hz
<b>Climate resistance:</b>	20 / 045 / 04 IEC/EN 60 068-1
<b>Terminal designation:</b>	EN 50 005
<b>Wire connection:</b>	2 x 2.5 mm <sup>2</sup> solid or 2 x 1.5 mm <sup>2</sup> stranded ferruled DIN 46 228-1/-2/-3/-4
<b>Wire fixing:</b>	Flat terminals with self-lifting clamping piece IEC/EN 60 999-1
<b>Screw attachment:</b>	Possible via extendable flaps
<b>Mounting:</b>	DIN rail IEC/EN 60 715
<b>Weight:</b>	80 g

#### Dimensions

Width x height x depth: 17.5 x 89 x 58 mm

## Standard type

IK 8807.02 AC 230 V 50/60 Hz	
Article number:	0037839 stock item
• Output:	2 NO contacts
• Nominal voltage $U_N$ :	AC 230 V
• Width:	17.5 mm

## Ordering example

IK 8807 .01 AC 230 V 50 / 60 Hz	
_____	Nominal frequency
_____	Nominal voltage
_____	Contacts
_____	Type

## Specification for tender for IK 8807

Remote switch for central switching operation according to IEC/EN 60 669 to be built in consumer units, 1 NO contact, continuous current 10 A.

Width 17.5 mm.

Type IK 8807.01

Manufactured by: E. DOLD & SÖHNE KG

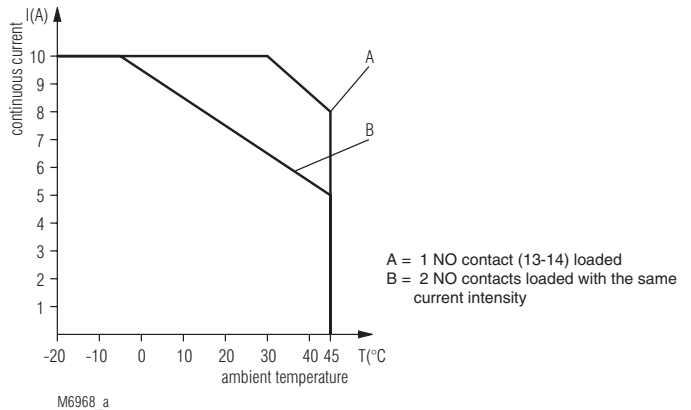
Remote switch for central switching operation according to IEC/EN 60 669 to be built in consumer units, 2 NO contacts, continuous current 10 A.

Width 17.5 mm.

Type IK 8807.02

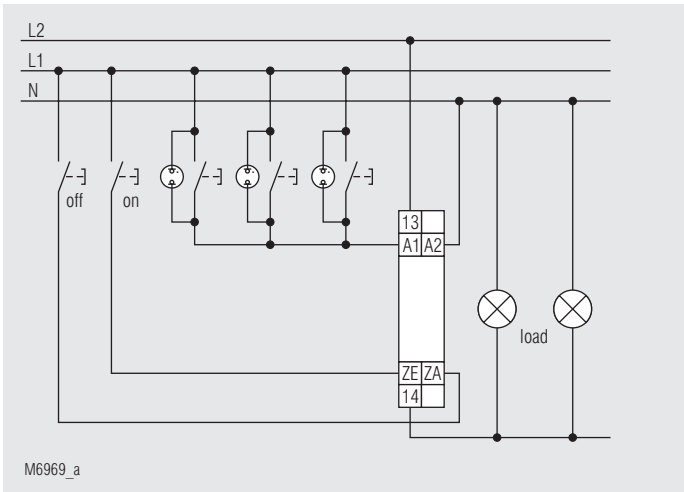
Manufactured by: E. DOLD & SÖHNE KG

## Characteristics

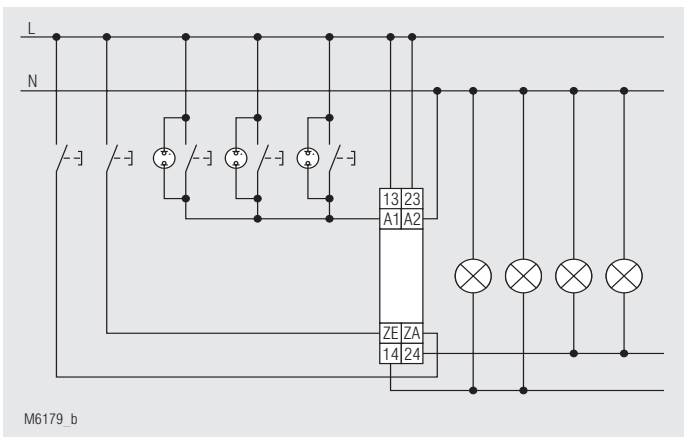


Permanent current curve in relation to the ambient temperature

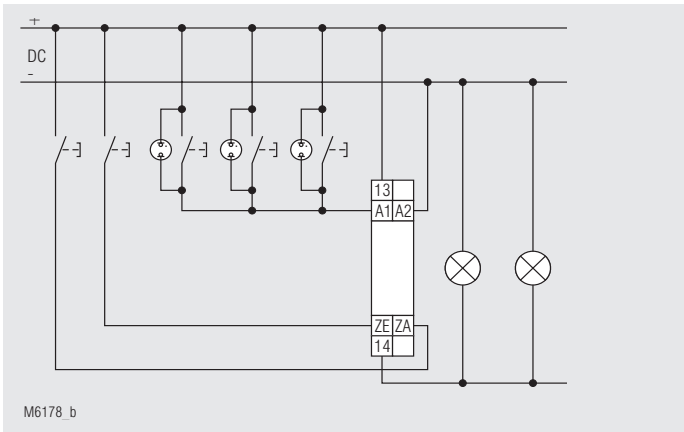
## Connection examples



IK 8807.01



IK 8807.02



IK 8807.01 (DC activation)

