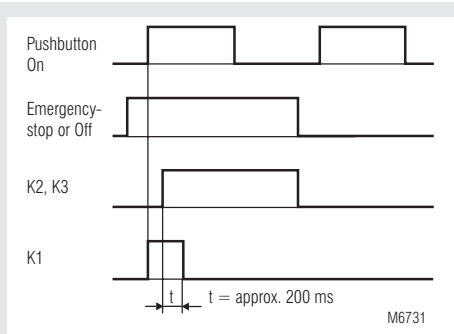


- According to
 - Performance Level (PL) e and category 4 to EN ISO 13849-1: 2008
 - SIL Claimed Level (SIL CL) 3 to IEC/EN 62061
 - Safety Integrity Level (SIL) 3 to IEC/EN 61508
- Output: 3 NO, 1 NC contacts for AC 400 V
- Optionally gold-plated contacts to switch small loads (input for PLC)
- 1-channel or 2-channel connection
- LED displays for channels 1 and 2
- Feedback circuit X3 - X4 for monitoring external contactors
- Removable terminal strips
- Overvoltage and short circuit protection
- Width 100 mm

Function Diagram



Approvals and Marking

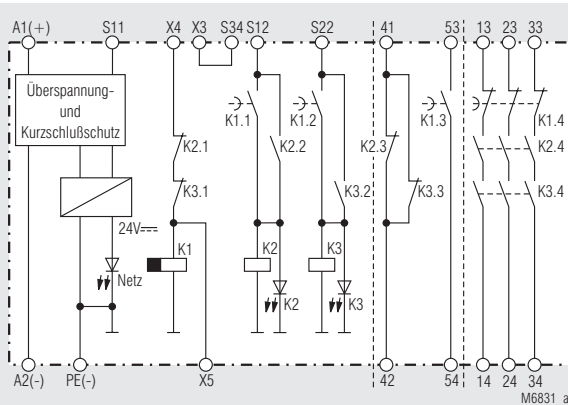


* see variants

Application

- Protection of people and machines
- Emergency-stop circuits on machines
- Monitoring of safety gates

Block Diagram



BN 5983.53

Indication

- LED power supply: on when operating voltage present
- LED S12 / K2: on when supply on relay K2
- LED S22 / K3: on when supply on relay K3

Notes

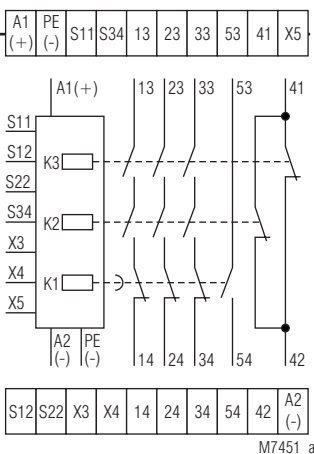
The PE terminal permits operation of the device in IT systems with insulation monitoring and also serves as a reference point for testing the control voltage. The internal short-circuit protection will be bridged on DC devices, if the protective ground is connected to terminal PE. One or more extension modules BN 3081 or external contactors with forcibly guided contacts may be used to multiply the number of contacts of the emergency-stop module BN 5983.

ATTENTION - AUTOMATIC START!

According to IEC/EN 60 204-1 part 9.2.5.4.2 it is not allowed to restart automatically after emergency stop. Therefore the machine control has to disable the automatic start after emergency stop.



Circuit Diagram



BN 5983.53, _/104, _/110, _/200

Technical Data

Input

Nominal voltage U_N:	AC 24, 42, 48, 110, 127, 230, 240 V DC 24, 48, 110 V
Voltage range:	AC 0.8 ... 1.1 U_N
at 10 % residual ripple:	DC 0.9 ... 1.2 U_N
at 48 % residual ripple:	DC 0.8 ... 1.1 U_N
Nominal consumption:	5 VA \pm 30 %
Nominal frequency:	50 / 60 Hz
Control voltage S11:	DC 24 V
Control current:	max. DC 100 mA
Minimum voltage at terminals S12, S22:	DC 21 V with activated device

Output

Contacts

BN 5983.53:	3 NO, 1 NC contacts 1 delay-release NO contact (K1.3)
-------------	--

The NO contacts 13...33 / 14...34 are safety contacts.

ATTENTION! The NC contact 41-42 and the NO contact 53-54 can only be used for monitoring.

Operate time:	35 ms
----------------------	-------

Release time

opening in secondary circuit

(S12-S22):	30 ms \pm 25 %
------------	------------------

opening in supply circuit:	100 ms \pm 50 %
----------------------------	-------------------

Release delay of K1: approx. 200 ms

Contact type: Relay, forcibly guided

Nominal output voltage: AC 400 V / DC 230 V

Thermal current I_{th} : see continuous current limit curve
(max. 10 A in one contact path)

Switching capacity

to AC 15:

NO contacts :	5 A / AC 230 V	IEC/EN 60 947-5-1
---------------	----------------	-------------------

NC contacts:	2 A / AC 230 V	IEC/EN 60 947-5-1
--------------	----------------	-------------------

to DC 13:

NO contacts :	4 A / DC 24 V	IEC/EN 60 947-5-1
---------------	---------------	-------------------

NC contacts:	4 A / DC 24 V	IEC/EN 60 947-5-1
--------------	---------------	-------------------

Electrical life

to AC 15 at 2 A, AC 230 V: 10^5 switching cycles IEC/EN 60 947-5-1

to DC 13 at 2 A, DC 24 V: $> 240 \times 10^3$ switching cycles

Permissible operating frequency:

6 000 switching cycles / h

Short circuit strength

max. fuse rating

NO contact:	10 A gL	IEC/EN 60 947-5-1
-------------	---------	-------------------

NC contact:	6 A gL	IEC/EN 60 947-5-1
-------------	--------	-------------------

Mechanical life: 10×10^6 switching cycles

General Data

Operating mode: Continuous operation

Temperature range

operation: - 15 ... + 55°C
at max. 90 % humidity

storage : - 25 ... + 85 °C

altitude: < 2.000 m

Clearance and creepage distances

rated impuls voltage /
pollution degree: 4 kV / 2 (basis insulation) IEC 60 664-1

EMC

Electrostatic discharge: 8 kV (air) IEC/EN 61 000-4-2

HF irradiation: 10 V / m IEC/EN 61 000-4-3

Fast transients: 2 kV IEC/EN 61 000-4-4

Surge voltages

between

wires for power supply: 1 kV IEC/EN 61 000-4-5

between wire and ground: 4 kV IEC/EN 61 000-4-5

Interference suppression: Limit value class B EN 55 011

Degree of protection

Housing: IP 40 IEC/EN 60 529

Terminals: IP 20 IEC/EN 60 529

Housing: Thermoplastic with V0 behaviour
according to UL subject 94

Vibration resistance: Amplitude 0.35 mm IEC/EN 60 068-2-6
frequency: 10 ... 55 Hz

Technical Data

Climate resistance:	15 / 055 / 04	IEC/EN 60 068-1
Terminal designation:	EN 50 005	
Wire connection:	2 x 2.5 mm ² solid or 2 x 1.5 mm ² stranded ferruled DIN 46 228-1/-2/-3/-4	
Wire fixing:	Flat terminals with self-lifting clamping piece IEC/EN 60 999-1 Removable terminal strip	
Mounting:	DIN rail	IEC/EN 60 715
Weight:	840 g	

Dimensions

Width x height x depth: 100 x 74 x 121 mm

Safety Related Data

Values according to EN ISO 13849-1:

Category:	4	
PL:	e	
MTTF _d :	236.1	a
DC / DC _{avg} :	97.2	%
d _{op} :	365	d/a (days/year)
h _{op} :	24	h/d (hours/day)
t _{cycle} :	3600	s/cycle
	\approx 1	/h (hour)

Values according to IEC/EN 62061 / IEC/EN 61508:

SIL CL:	3	IEC/EN 62061
SIL	3	IEC/EN 61508
HFT:	1	
DC / DC _{avg} :	97.2	%
SFF	99.8	%
PFH _D :	2.05E-10	h ⁻¹
T ₁ :	20	a (year)

^{*)} HFT = Hardware-Failure Tolerance



The values stated above are valid for the standard type.

Safety data for other variants are available on request.

The safety relevant data of the complete system has to be determined by the manufacturer of the system.

CCC-Data

Nominal voltage U_N : AC 24, 42, 48, 110, 127, 230 V
DC 24, 48, 110 V

Thermal current I_{th} : see continuous current limit curve
(max. 5 A in one contact path)



Technical data that is not stated in the CCC-Data, can be found in the technical data section.

Standard type

BN 5983.53 DC 24 V		
Article number:	0032155	stock item
• Output:	3 NO, 1 NC contacts	
• Nominal voltage U_N :	DC 24 V	
• Width:	100 mm	

Variants

BN 5983.53/104:

For switching small loads of 1 mA ... 7 VA or 1 mW ... 7 W in the ranges 0.1 ... 60 V and 1 ... 300 mA.

The device is also suitable for switching the maximum switching current. However, this will burn off the gold plating of the contacts, so that switching of small loads is no longer possible afterwards.

BN 5983.53/110:

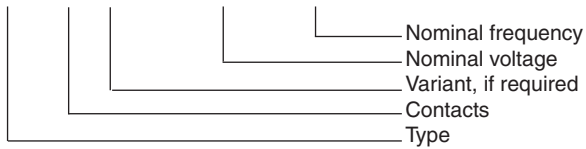
To avoid latching problems in the case of short voltage drops K2 and K3 are switched definitely off before reset.

BN 5983.53/200:

Redundant switching off with device diversity. Device diversity means that safety relays from different production batches or from different manufacturers are used.

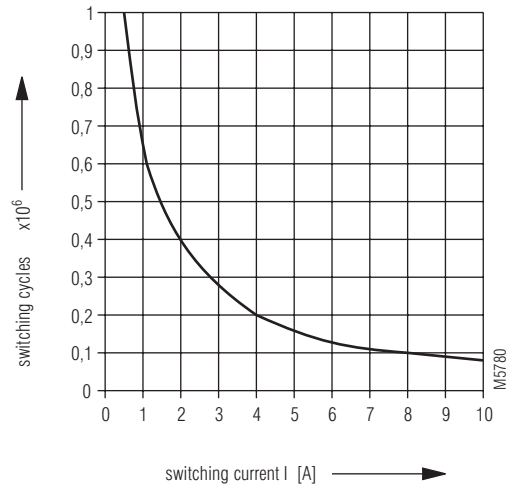
Ordering example for Variants

BN 5983 .53 / _ _ _ AC 230 V 50/60 Hz



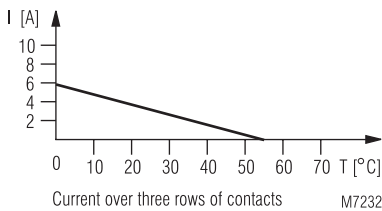
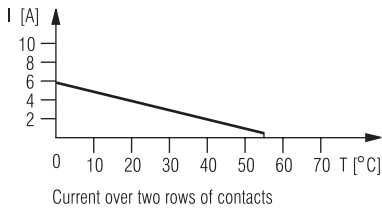
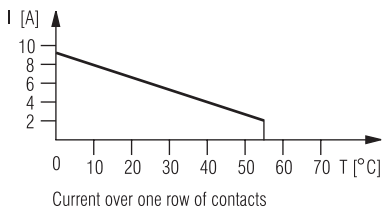
Characteristics

electric life DC13 24V DC / t_{on} 0,4s; t_{off} 9,6s
2 contacts in series

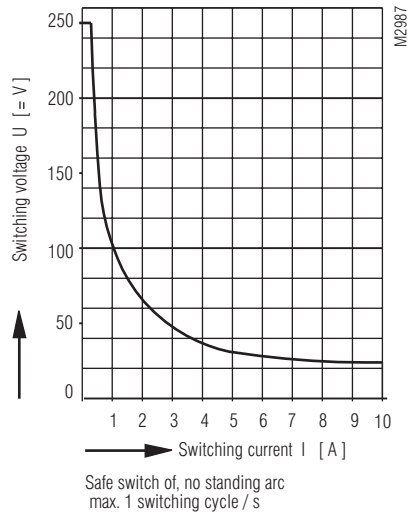


Contact service life

Characteristics

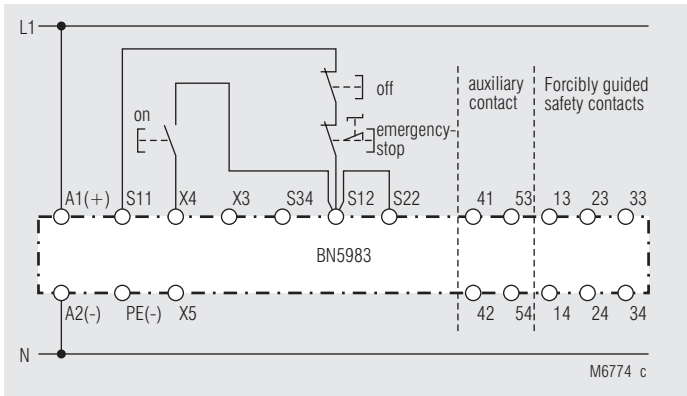


Continuous current limit curves
as a function of ambient temperature

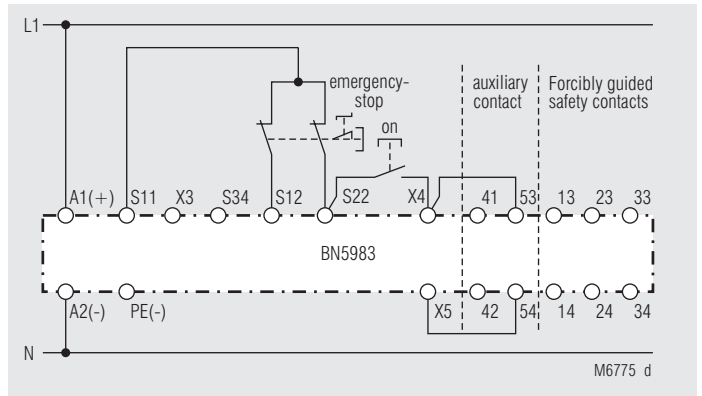


Limit curve for arc-free operation with resistive load

Application Examples



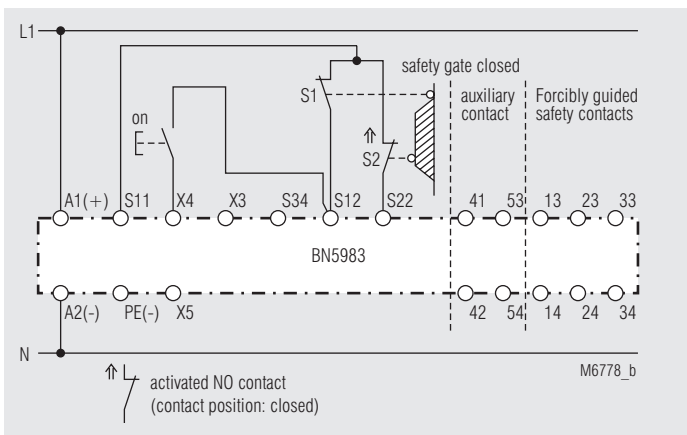
One-channel emergency-stop circuit. This circuit does not have any redundancy in the emergency-stop control circuit.
Suited up to SIL2, Performance Level d, Cat. 3



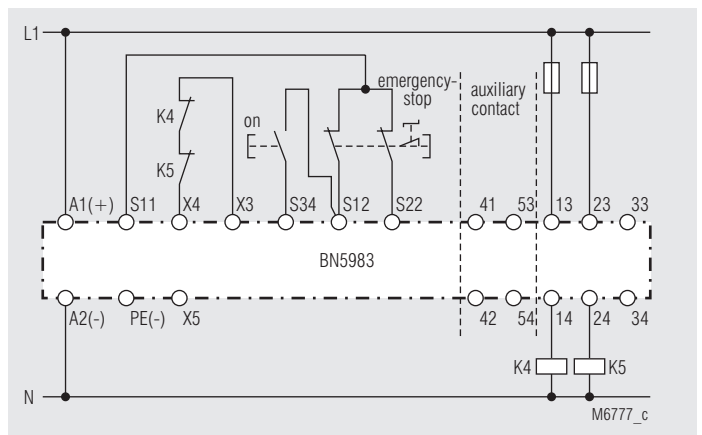
Two-channel emergency stop circuit with line fault detection on start button. The unit starts with the negative edge of the start signal (contrary to the function diagram).

If line fault detection is not necessary the links X4-53 and X5-54 can be removed.

Suited up to SIL3, Performance Level e, Cat. 4



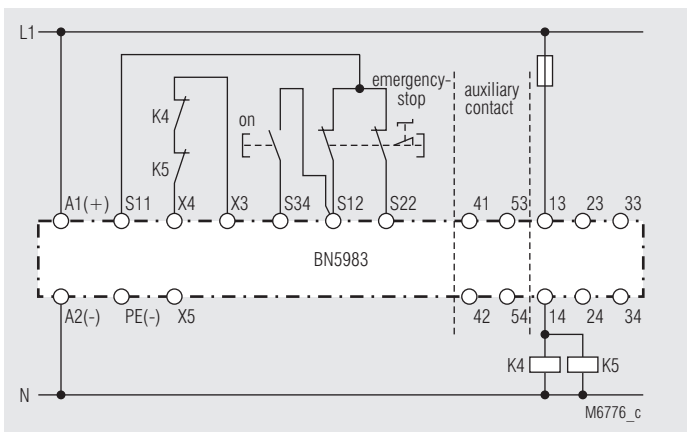
Two-channel monitoring of a safety gate.
Suited up to SIL3, Performance Level e, Cat. 4



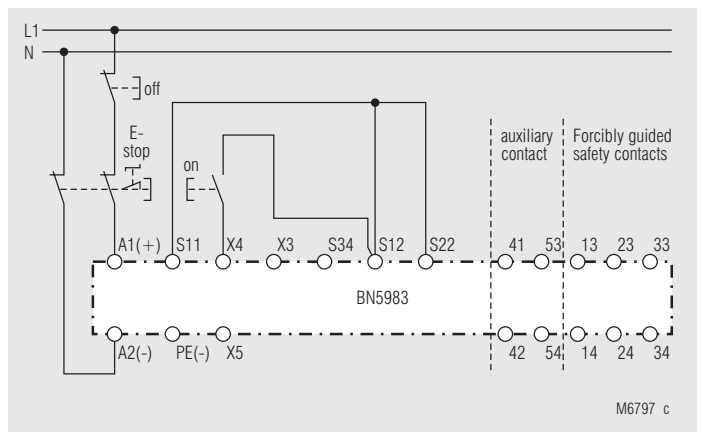
Contact reinforcement by external contactors, 2-channel.

The output contacts can be reinforced by external contactors with forcibly guided contacts for switching currents > 10 A. Functioning of the external contactors is monitored by looping the NC contacts into the closing circuit (terminals X3 - X4).

Suited up to SIL3, Performance Level e, Cat. 4



Contact reinforcement by external contactors with reduced safety level.
Suited up to SIL3, Performance Level e, Cat. 4



Two-pole emergency-stop circuit with emergency stop control device in supply circuit.

Application for long emergency stop loops where the control voltage drops below the minimum voltage of 21 V.

Attention:

Single faults (e.g. line faults at the emergency stop control device) are not detected with this external circuit configuration.

Suited up to SIL3, Performance Level e, Cat. 4